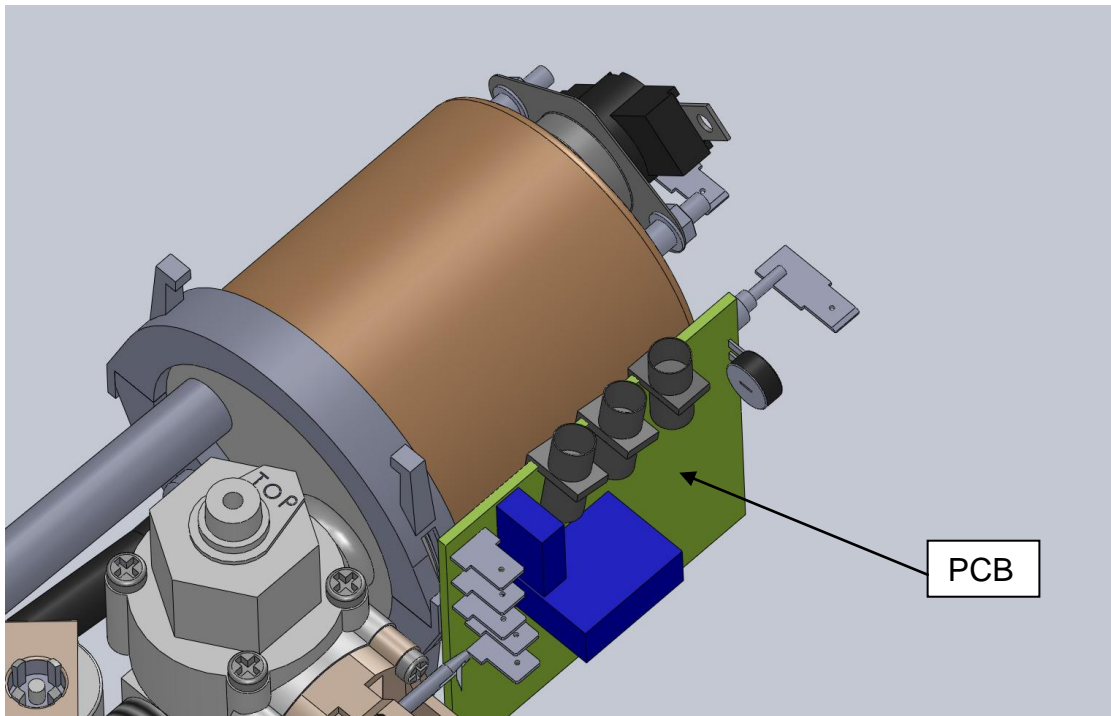


## ***Removing & Replacing the Autosensor PCB***

- **Warning** - Isolate Autosensor from the mains electricity supply before you touch anything.
- Remove the front cover of the autosensor. The screw is found at the base of the Autosensor on the right hand side of the water outlet.
- The PCB is sited on the right-hand side opposite the copper cylinder.
- Carefully, using your forefinger and thumb, holding the PCB, top and bottom, pull the PCB towards you. Releasing it from the slot. Remove the terminal connections as you are releasing the PCB.
- Fitting the new PCB. Repeat item 4 and make sure the PCB is situated in the base slot.
- Replace front cover.



## PCB Wiring Detail

