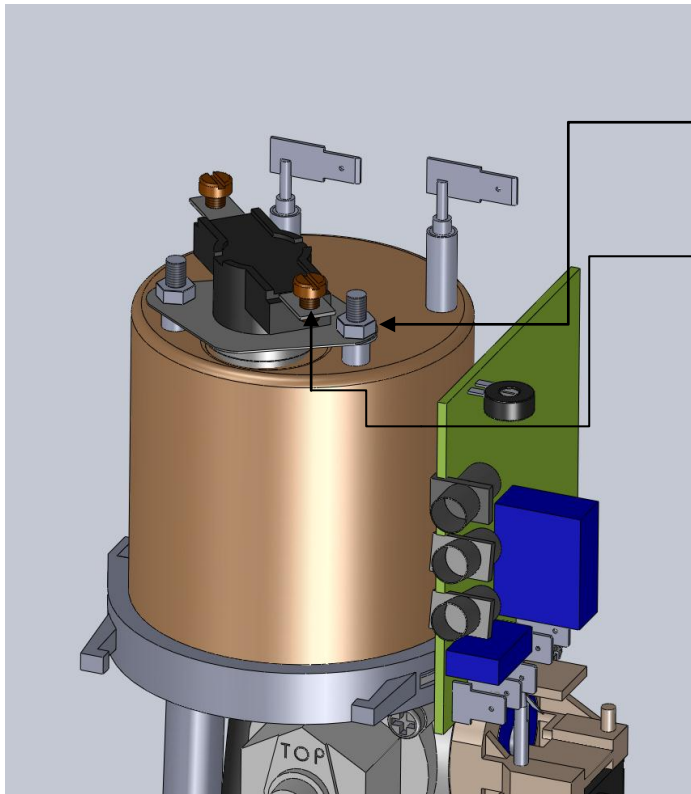


Removing & Replacing the Thermal Cut-Out.



1. Switch off the Electrical Supply to the unit.
2. Undo the two 4mm nuts using a 7mm open ended spanner, being careful to retain the washers.
3. Remove the Two Brass 4mm screws using a flat headed screwdriver.
4. Remove the Thermal Cut-Out
5. Replace with the new Thermal Cut-Out
6. Repeat procedure 2 above by tightening each nut in turn so the part is tightened evenly across each stud.
7. Refit the Two brass screws as described in item 1 above.